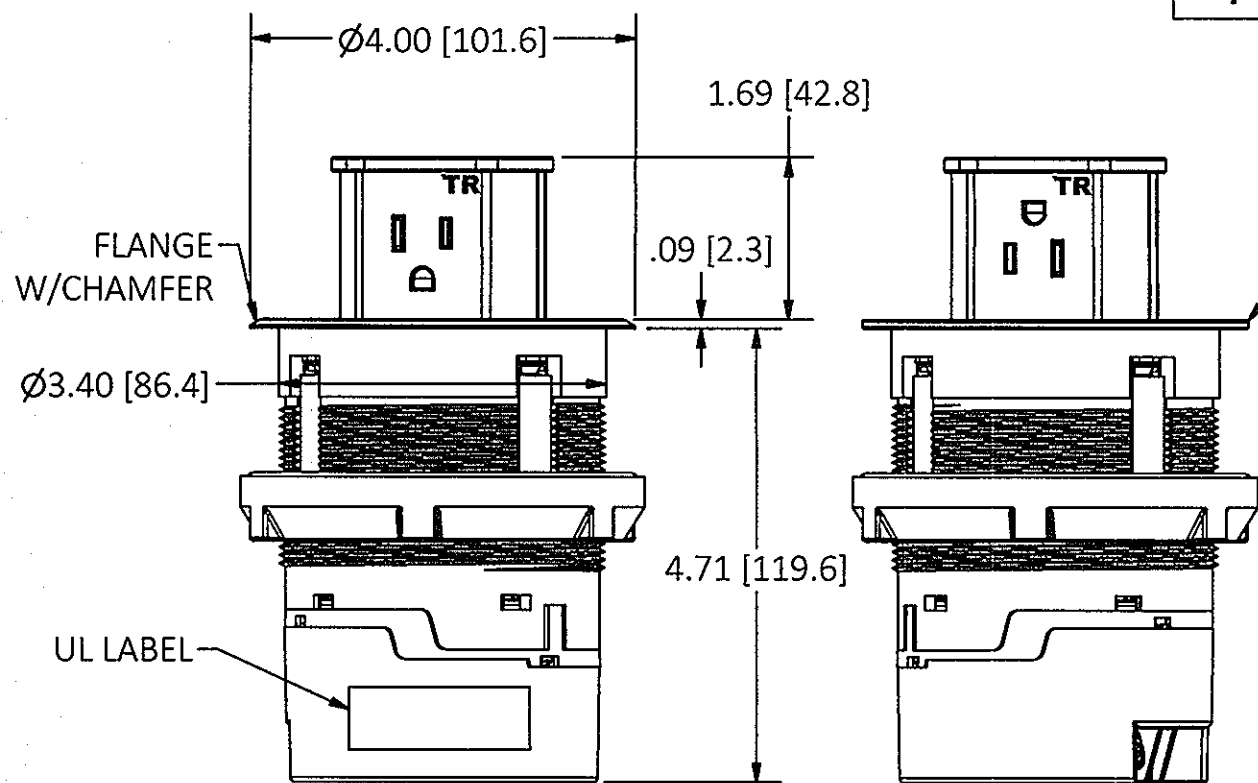


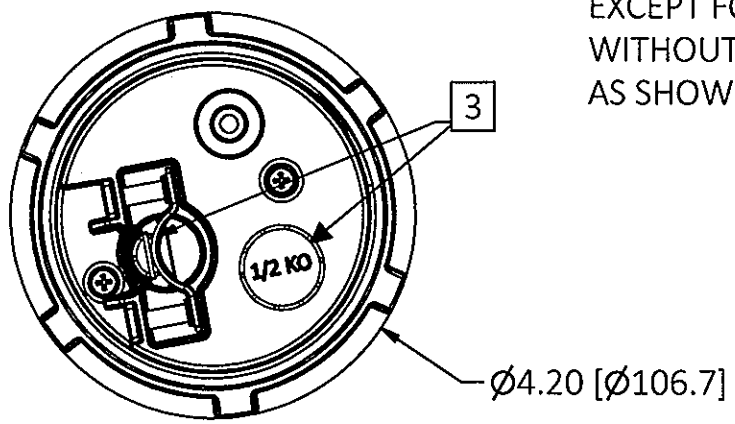
M-13285

3

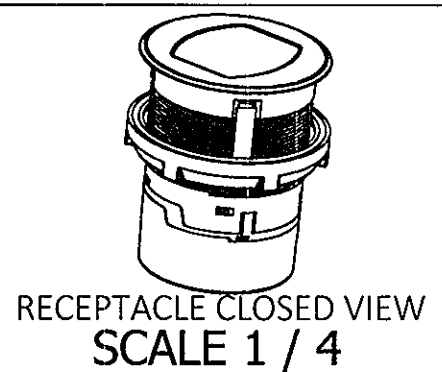


SURFACE MOUNT DEVICE
CAT.# RCT200 SERIES

FLUSH MOUNT DEVICE
CAT.# RCT201 SERIES.
(THE SAME AS RCT200 SERIES
EXCEPT FOR THE FLANGE
WITHOUT CHAMFER
AS SHOWN).

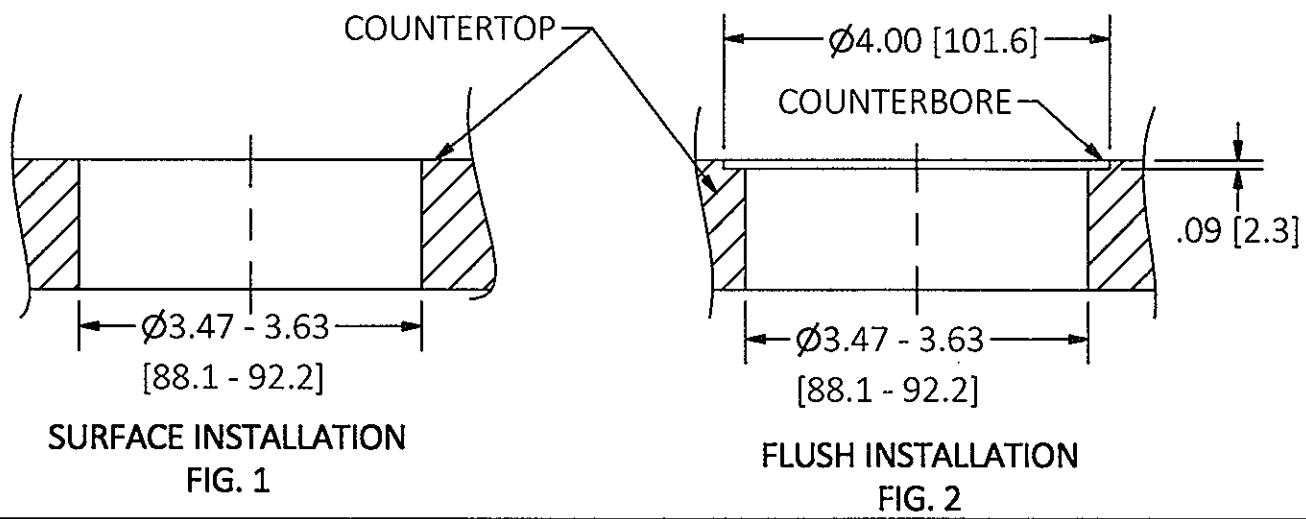


MOUNTING TYPE	CATALOG	DESCRIPTION	COLOR	CUT OPENING
SURFACE MOUNT SERIES	RCT200BK	15A KIT KITCHEN COUNTER TAMPER RESISTANT RECEPTACLE SURFACE MOUNT, PAINTED BLACK	BLACK	SEE FIG. 1
	RCT200W	15A KIT KITCHEN COUNTER TAMPER RESISTANT RECEPTACLE SURFACE MOUNT, PAINTED WHITE	WHITE	
	RCT200ALU	15A KIT KITCHEN COUNTER TAMPER RESISTANT RECEPTACLE SURFACE MOUNT, BRUSHED ALUMINUM	BRUSHED ALUMINUM	
	RCT200BR	15A KIT KITCHEN COUNTER TAMPER RESISTANT RECEPTACLE SURFACE MOUNT, BRUSHED BRASS	BRUSHED BRASS	
	RCT200CH	15A KIT KITCHEN COUNTER TAMPER RESISTANT RECEPTACLE SURFACE MOUNT, POLISHED CHROME	POLISHED CHROME	
	RCT200BZE	15A KIT KITCHEN COUNTER TAMPER RESISTANT RECEPTACLE SURFACE MOUNT, MATTE BRONZE	MATTE BRONZE	
	RCT200NI	15A KIT KITCHEN COUNTER TAMPER RESISTANT RECEPTACLE SURFACE MOUNT, BRUSHED NICKEL	BRUSHED NICKEL	
FLUSH MOUNT SERIES	RCT201BK	15A KIT KITCHEN COUNTER TAMPER RESISTANT RECEPTACLE FLUSH MOUNT, PAINTED BLACK	BLACK	SEE FIG. 2
	RCT201W	15A KIT KITCHEN COUNTER TAMPER RESISTANT RECEPTACLE FLUSH MOUNT, PAINTED WHITE	WHITE	
	RCT201ALU	15A KIT KITCHEN COUNTER TAMPER RESISTANT RECEPTACLE FLUSH MOUNT, BRUSHED ALUMINUM	BRUSHED ALUMINUM	
	RCT201BR	15A KIT KITCHEN COUNTER TAMPER RESISTANT RECEPTACLE FLUSH MOUNT, BRUSHED BRASS	BRUSHED BRASS	
	RCT201CH	15A KIT KITCHEN COUNTER TAMPER RESISTANT RECEPTACLE FLUSH MOUNT, POLISHED CHROME	POLISHED CHROME	
	RCT201BZE	15A KIT KITCHEN COUNTER TAMPER RESISTANT RECEPTACLE FLUSH MOUNT, MATTE BRONZE	MATTE BRONZE	
	RCT201NI	15A KIT KITCHEN COUNTER TAMPER RESISTANT RECEPTACLE FLUSH MOUNT, BRUSHED NICKEL	BRUSHED NICKEL	



LIST OF PARTS		
DESCRIPTION	MATERIAL	FINISH
TOWER COVER	ALUMINUM	SEE TABLE PER CATALOG
FLANGE	ALUMINUM	SEE TABLE PER CATALOG
RECEPTACLE FACE	THERMOPLASTIC	BLACK
WIRING CHAMBER BOTTOM HOUSING	ALUMINUM	
MAIN BODY HOUSING	THERMOPLASTIC	
LOCK NUT	THERMOPLASTIC	
O RINGS	ELASTOMER	
WIRE CLAMP	STEEL	ZN PLATED
WIRE CLAMP SCREWS	STEEL	ZN PLATED
TERMINALS	BRASS	
CYLINDER	STEEL	
GROUND SCREWS	STEEL	ZN PLATE + GREEN
NETRUAL SCREWS	STEEL	ZN PLATED
HOT SCREWS	STEEL	BRASS PLATE
WATER SEALS	ELASTOMER	

- NOTES:
1. RECEPTACLE RATING: 15A 125V.
 2. TWO POWER OUTLETS AVAILABLE.
 - 3 ACCEPT NON-METALLIC SHEATHED CABLE AND/OR METAL CONDUIT (BY USING WIRE CLAMP OR 1/2" KNOCKOUT) TO WIRE THE DEVICE.
 4. SUITABLE FOR COUNTERTOP THICKNESS .56"-2.13" [14.3-54.0 mm].
 5. ALL DIMENSIONS ARE IN INCHES [mm].



REV	DESCRIPTION	APP	DATE
3	ADDED "TR" MARKING PER DCN #22870	D.LI	1/31/17
2	ADD NICKEL FINISH CAT.# PER DCN #22805		1/10/17
1	NEW RELEASE PER DCN #22710		11/09/16

THE DESIGN AND DIMENSIONS OF THE PRODUCT SHOWN ON THIS DRAWING ARE SUBJECT TO CHANGE WITHOUT NOTICE. DIMENSIONS ARE IN INCHES [mm].

TITLE
POP UP RECEPTACLE



TOLERANCES UNLESS OTHERWISE SPECIFIED XX = .01 XXX = .005 ANGLE TOL. ±2	DR. BY D.LI CHK. BY	SCALE 1/2 DATE 11/4/2016
--	------------------------	-----------------------------

DIMENSION SHEET FOR CAT. NO. SEE TABLE B M-13285 3